



# LEFROY BROOKS

1 8 2 8 T R O U T M A N S T R E E T  
R I D G E W O O D N E W Y O R K N Y 1 1 3 8 5 U S A  
T: +1(718) 302 5292 F: +1(718) 302 4177

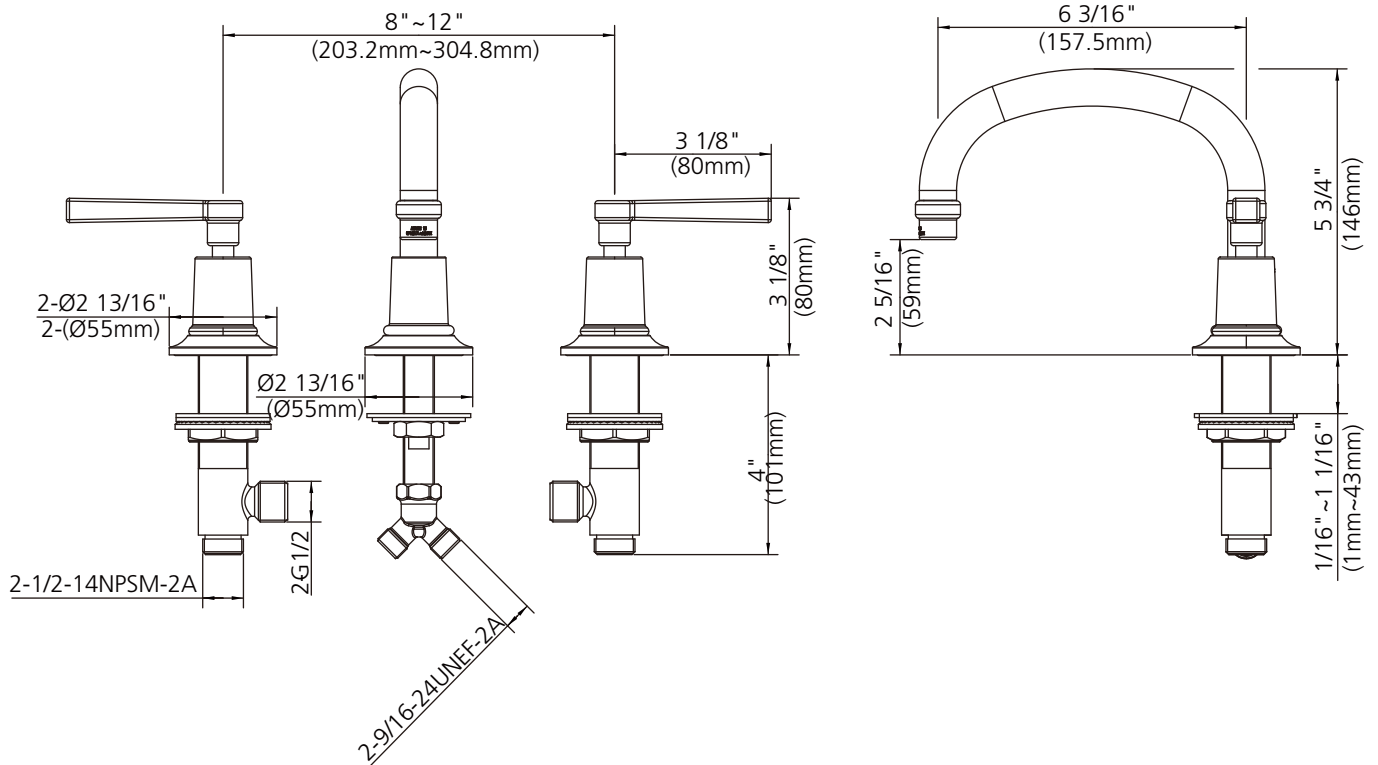
## M2-1122

FLEETWOOD LEVER 3-HOLE BASIN MIXER WITH LOW-LEVEL SPOUT,  
NO P.U.W.

### DIMENSIONAL DATA SHEET

DATE: 16 APRIL 2014

No: FWOC0004



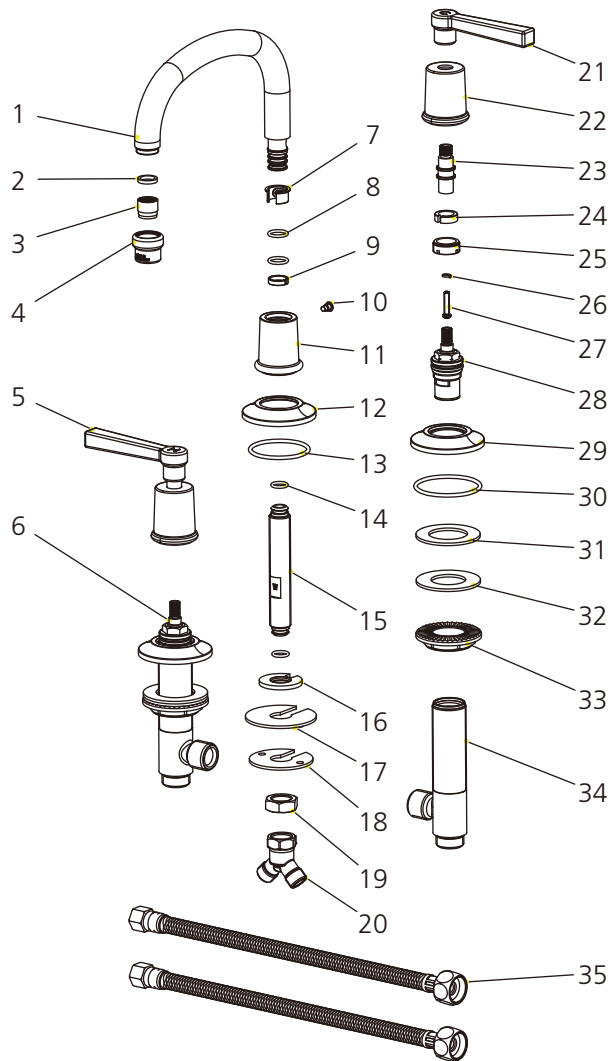
COPYRIGHT © LBP LTD 2012. ALL RIGHTS RESERVED.

DIMENSIONS IN INCHES & MILLIMETRES

WHILST EVERY EFFORT IS MADE TO ENSURE THE ACCURACY OF THESE DATA SHEETS THEY ARE SUBJECT TO CHANGE WITHOUT NOTICE AS PART OF THE COMPANY'S PRODUCT DEVELOPMENT PROCESS

# M2-1122

FLEETWOOD LEVER 3-HOLE BASIN MIXER WITH LOW-LEVEL SPOUT, NO P.U.W.

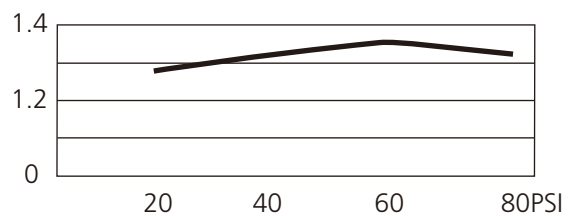


1	Spout assembly (139309W)	13	O-ring (004072N)	25	Adaptor (057507)
2	Oil-seal (010519N)	14	O-ring (004026N)	26	Washer (013570)
3	Aerator insert (553661N)	15	Shank (014055W)	27	Screw (008486)
4	Aerator housing (305856-54)	16	Washer (013797)	28	Cartridge ( C ) (507176W)
5	Handle (029686H-T)	17	Oil seal (058094)	29	Escutcheon (071473)
6	Cartridge ( H ) (507175W)	18	Washer (013006)	30	O-ring (004617)
7	Clip (012056)	19	Nut (009015)	31	Oil seal (010017)
8	O-ring (004050N)	20	Connector (015004W)	32	Washer (013158)
9	Clip (012267)	21	Handle (029686C-T)	33	Nut (009834)
10	Screw (008140)	22	Canopy (018295)	34	Side body 061893W
11	Canopy (000158W)	23	Stem extension (110409)	35	Flexible hose (105750W)
12	Escutcheon (071326)	24	Clip (012242)		

## Standards

IAPMO/cUPC Listed  
 Meets NSF 61-9  
 Meets A112.18.1  
 ADA Compliant

## Flow Rate



Please note :

Final achievable flow rate is dependent on the outlets fitted, see relevant outlets (spouts, roses, sprays) for fully assembled product flow rate.